

"AS" Range



Slimline Axial Fans

Installation and Operating Instructions

- *22 models*
 - *standard*
 - *with timer*
 - *humidity control*
 - *Passive Infra Red*
- *with white and chrome front covers*
- *for toilets, bathrooms, shower-rooms, utility rooms and kitchens*
- *wall, ceiling or panel installation*

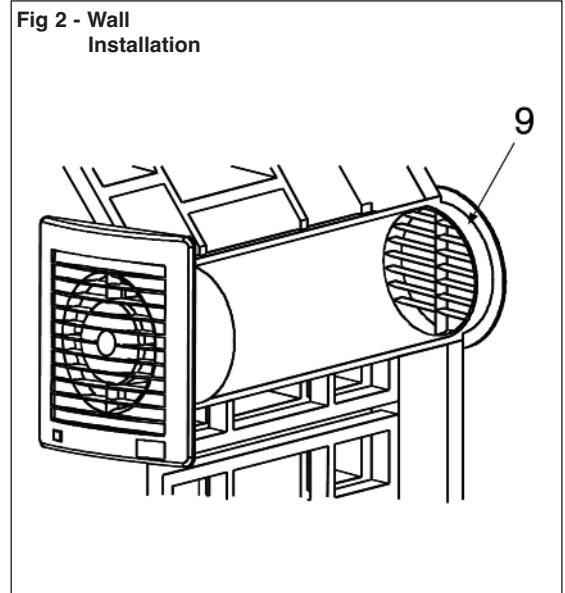
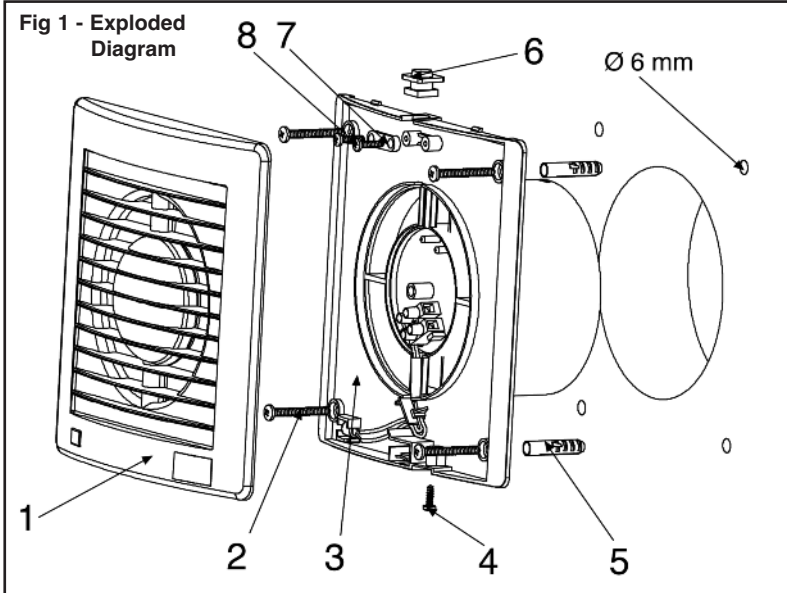


CE  IPX4

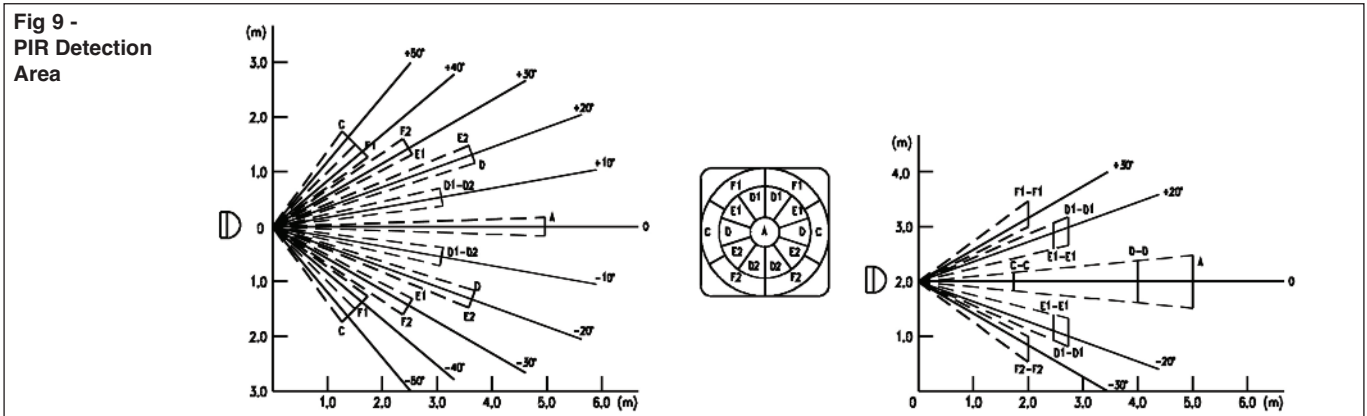
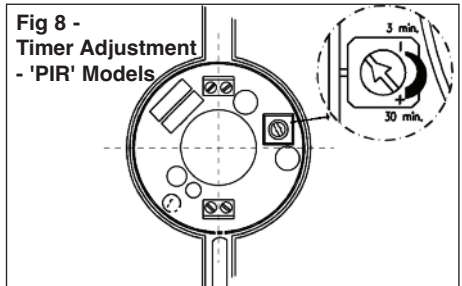
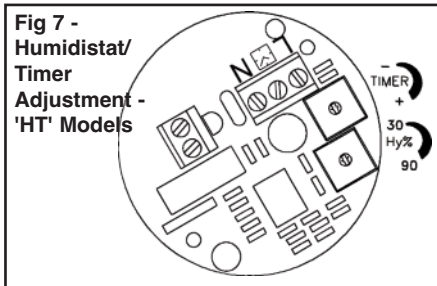
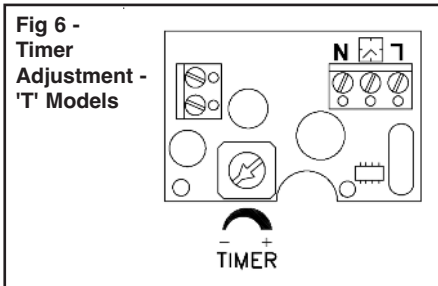
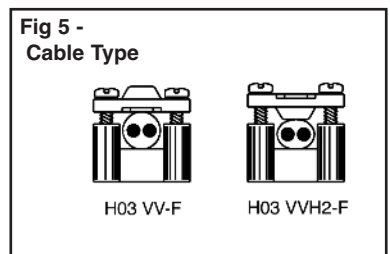
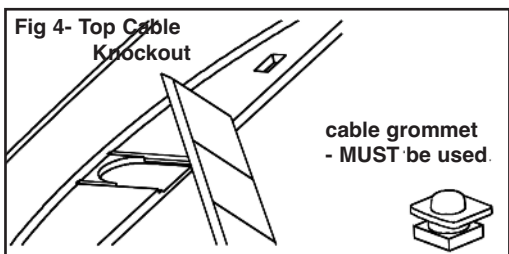
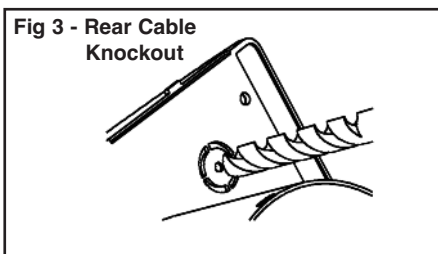
"AS" - SLIMLINE AXIAL FANS

INSTALLATION and OPERATING INSTRUCTIONS

PLEASE READ THE FOLLOWING INSTRUCTIONS VERY CAREFULLY BEFORE USING THE PRODUCT. THE MANUFACTURER WILL NOT BE HELD RESPONSIBLE AND DECLINES ANY AND ALL LIABILITY FOR DAMAGE CAUSED TO PERSONS OR PROPERTY DUE TO IMPROPER USE WITH REFERENCE TO THE PRECAUTIONS OUTLINED IN THIS MANUAL. THIS MANUAL MUST ALWAYS BE READILY AVAILABLE.



- | | | |
|-----------------------|-----------------------------|----------------------------------|
| 1. Front Cover | 4. Front Cover Fixing Screw | 7. Cable Clamp |
| 2. Wall Fixing Screws | 5. Wall Plug | 8. Cable Fixing Screws |
| 3. Motor Fan Assembly | 6. Cable Grommet | 9. Outside Grille (not supplied) |



"AS10" - SLIMLINE AXIAL FANS INSTALLATION INSTRUCTIONS and OPERATING INSTRUCTIONS

THE RANGE

AS10Plus's - 95m³/hr, 42Pa, 230v, 50Hz, 14w, 31dbA

AS12's - 165m³/hr, 54Pa, 230v, 50Hz, 15w, 37dbA

AS15's - 295m³/hr, 71Pa, 230v, 50Hz, 25w, 44dbA

"AS" slimline axial fans are for exhausting directly outside or through short lengths of ducting. Models (Cr) available with Chrome front cover. They are suitable for wall, panel or ceiling installation.

AS10Plus, AS12, AS15: 10cm, 12cm, 15cm standard versions operated by means of a remote switch.

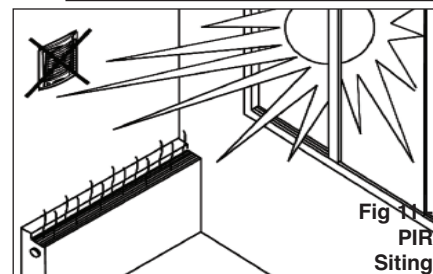
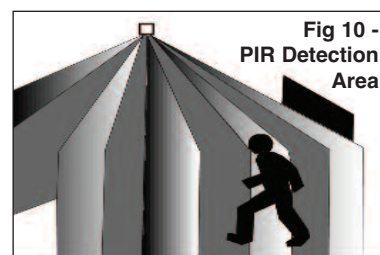
AS10TPlus, AS12T, AS15T: 10cm, 12cm, 15cm with integral overrun timer - the fan should be operated by a remote switch which can also serve to switch the room light on and off. After the light is switched off, the fan will continue to operate for a minimum of 3 minutes (adjustable to a maximum of 25 minutes) by turning the trimmer (Fig 6) in a clockwise direction.

AS10HTPlus, AS12HT, AS15HT: 10cm, 12cm, 15cm with integral humidistat and overrun timer - the adjustable, electronic humidistat is pre-set so that the fan will operate automatically when the moisture content in the room reaches a pre-set level of relative humidity. The fan will continue to run until the relative humidity falls below the pre-set level. This level can be adjusted by turning the trimmer (Fig 7) on the fan. This fan can be operated by a remote switch or light switch allowing operation of the fan independently of the humidistat (the neon indicator on the front will light when the fan is operating in this mode). The overrun timer, which will **always** make the fan continue to operate for the pre-set length of time even after it has been manually switched off, can be adjusted as described above.

AS10PIRPlus, AS12PIR, AS15PIR: 10cm, 12cm, 15cm with integral sensor and overrun timer - the fan will start to operate automatically when it detects the presence of a person. After the room is vacated, the fan will continue to operate for a minimum of 3 minutes (adjustable to a maximum of 25 minutes) by turning the trimmer in an anti-clockwise direction (Fig 8).

IMPORTANT - SITING INFORMATION

1. For optimum performance your fan should be installed as high as possible.
2. **PIR models** should be installed at a minimum height of 2.3m (see Fig 9 and Figs 10 and 11 - right) and should be away from a heat source (such as a heater), any direct light (sunlight, lamp etc) or any air conditioning unit. Care should be taken to ensure that the sensor is free of any obstruction (such as a cupboard).
3. The fan must not be used in an ambient temperature higher than 40°C.
4. Your fan must not be exhausted into a duct which is already used for any other purpose (see Approved Document F1 2006 for guidance).
5. The room where the fan is installed must have an adequate supply of air to ensure correct operation.
6. If ducting is used, ensure that it is not blocked.
7. An adequate supply of fresh air must be provided if the fan is to be fitted into a room containing a fuel burning appliance which is not of the balanced flue type (UNI CIG7129).
8. Installation must be carried out by qualified personnel. Incorrect installation can cause damage to people, animals or property for which the manufacturer cannot be held responsible.
9. If you have any doubts concerning this product, please contact your supplier.



IMPORTANT - ELECTRICAL INFORMATION

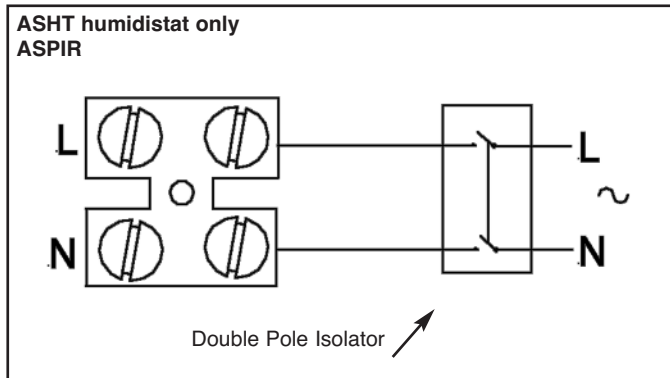
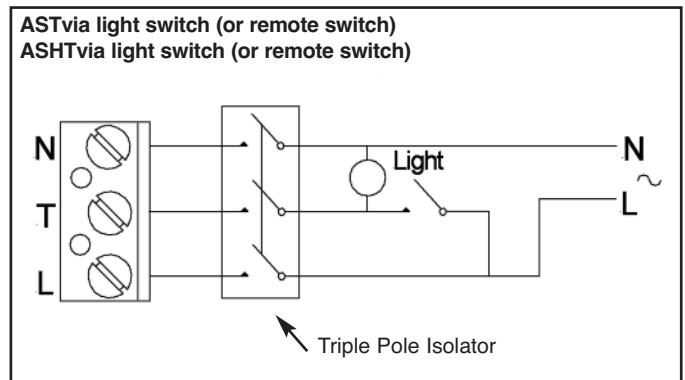
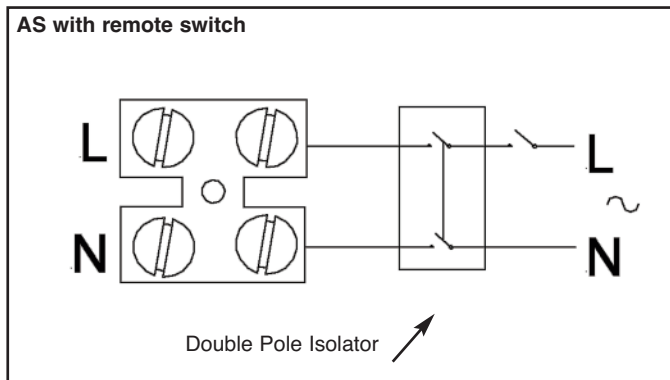
1. The use of any electrical product requires compliance with some basic rules which are listed below:
 - do not touch it with wet or damp parts of the body (e.g hands, feet).
 - this product is not intended for use by persons (including children) with reduced physical, sensory or mental capabilities or lack of experience and knowledge, unless they have been given supervision or instruction concerning the use of the product by a person responsible for their safety. The fan should be sited where it is inaccessible to such people.
 - children should be supervised to ensure they do not play with the product.
2. All electrical connections must comply with current IEE wiring regulations. The fan is a fixed appliance, and the electrical supply must therefore be by a fixed wired and fused (3 amp) spur incorporating a double or triple pole switch with contact openings of at least 3mm. Use twin conductor cable of at least 1mm² in section (Fig 5).
3. Your fan is double insulated and does not require earthing.
4. The fan complies with current electrical safety regulations (IE64, CENELEC 384), including EEC Directive EMC2004/108/CE concerning the suppression of radio interference and electromagnetic compatibility, and LVD2006/95/CE.
5. The fan must not be used as a switch for water heaters, stoves etc.
6. It is recommended that the installation be carried out by a qualified electrician.
7. The printed circuit board in these fans has been protected to make it compatible with the majority of fluorescent fittings available on the market today. However, it is impossible to be aware of all new products introduced. We suggest, therefore, that you contact your supplier to establish the compatibility of any fluorescent fittings you intend to use.

INSTALLATION INSTRUCTIONS

1. Remove all packing material and check that your fan has not been damaged in transit.
2. Check that your electrical voltage and frequency correspond with those marked on the fan rating label.
3. Check the location of existing wiring for ease of connection and make the electrical connections as in the following Wiring Instructions.
4. Cut 100/120/150mm hole (allowing, if necessary, for the thickness of any ducting used).
5. Remove front fan front cover (1) by loosening front cover fixing screw (4).
6. Use Motor Fan Assembly (3) as template to mark drill holes.
7. Drill fixing holes, and fix Motor Fan Assembly with screws and plugs provided
8. Connect incoming wiring supply.
9. Replace front cover (1).

WIRING INSTRUCTIONS

1. Ensure that the mains electrical supply is switched off during the installation of the fixed wiring spur.
2. The fan must be connected to a single phase mains power supply network of the voltage and frequency indicated on the rating label.
3. The installation must conform to current Building Regulations and IEE Wiring Regulations.
4. The mains supply cable can be inserted through the rear or top of the fan. If cable goes through top of fan, the cable grommet must be used.(Fig 4)
5. With the front cover (1) removed, connect incoming cable to terminal block as follows:
6. Replace front cover (1).



CLEANING AND MAINTENANCE

1. Before carrying out any maintenance or cleaning operation, switch off the fan and disconnect it from the main power supply.
2. The Front Cover (1) can be cleaned with mild detergent or water. Ensure that it does not come into contact with any kind of liquid or solvent.
3. The Motor Fan Assembly (3) can be cleaned with a dry cloth or soft brush.
4. Electrical parts cannot be cleaned.
5. Ensure that the fan does not come into contact with any liquid or solvent. Should this occur, contact a qualified electrician before reassembling it.